

1.0MP Network IR Bullet Camera



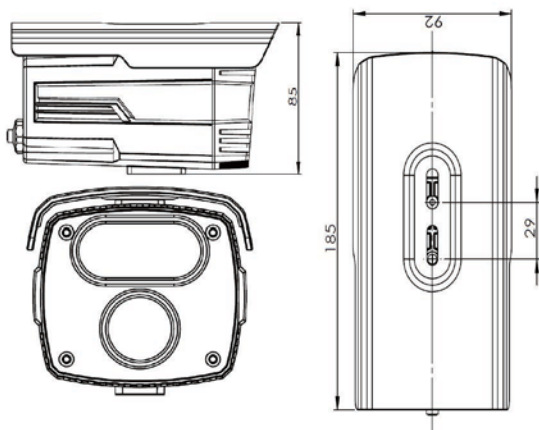
MODEL

TC-NC9400S3E-MP-E-C-IR30

FEATURES

- Up To 1280X720 High Resolution
- IR Range:30m
- NIR, WDR, 3D DNR, HLC, Dual-ICR, AWB, AGC, BLC
- Triple Streams
- Tripwire Detection (1280 × 720)
- Perimeter Detection (1280 × 720)
- Defog
- TVS 6000V Protection, IP66

DIMENSIONS



SPECIFICATIONS

| | |
|-------------------------|---|
| Camera | |
| Image Sensor | 1.0MP, 1/4" CMOS sensor |
| Core Processor | ARM9 Architecture |
| Operating System | Embedded Linux |
| Signal System | PAL/NTSC |
| Min. Illumination | Color : 0.1 Lux @(F1.2, AGCON) B/W: 0.01 Lux @(F1.2, AGCON); 0 Lux with IR |
| Shutter Time | 1/25s to 1/10, 000s |
| Lens | 6mm/4mm, Angle of View: 54°/74° |
| Lens Mount | φ14 |
| Auto Iris | N/A |
| Day&Night | IR cut filter with auto switch |
| Wide Dynamic Range | 80 dB |
| Digital Noise Reduction | 3DDNR |
| Compression Standard | |
| Video Compression | H.264/MJPEG |
| Bit Rate | 32Kbps~16Mbps |
| Audio Compression | G.711/AAC/ADPCM |
| Bit Rate | 8K~48Kbps |
| Image | |
| Max. Image Resolution | 1280 × 720 |
| Frame Rate | 50Hz: 25fps (1280 × 720) 60Hz: 30fps (1280 × 720) |
| Triple Stream | Main Stream:1080P(1280*720) Sub Stream:D1(704*576) 3rd Stream:CIF(352*288) |
| Image Settings | Brightness, Saturation, Contrast, Flip Mode Adjustable by Client Software or Web Browser |
| HLC | Y |
| Smart Defog | Y |
| Corridor | N |
| EIS | Y |
| ROI | 4 Zones |
| Privacy Mask | 4 Zones |
| Picture Overlay | 200 × 200, BMP 24bit, Zone Configurable |
| Network | |
| Browser | IE7+, Chrome 18+, Firefox 5.0+ |
| Network Storage | NAS |
| Video Analytics | Tripwire/Perimeter(1280 × 720) |
| Alarm Trigger | Motion Detection/IP Conflict/MAC Conflict/Port Alarm |
| Protocols | TCP/IP/ICMP/HTTP/HTTPS/FTP/DHCP/DNS/DDNS/RTP/RTSP/RTCP/PPPoE/NTP/UPnP/SMTP/SNMP/IGMP/802.1X/QoS/Pv6/Bonjour |
| User Permission | 4 Level/8 Users |
| Remote Connection | 2-ch Access |
| System Compatibility | ONVIF (Profile S), SDK |
| Interface | |
| Audio Input | N/A |
| Audio Output | N/A |
| Communication Interface | 1-ch RJ45 10M/100M ethernet interface |
| Alarm Input | N/A |
| Alarm Output | N/A |
| Video Output | N/A |
| On-board Storage | N/A |
| Extension | N/A |
| General | |
| Operating Conditions | -30°C ~ 60°C (IR OFF) /-35°C ~ 40°C (IR ON), 0 ~ 95% RHG |
| Power Supply | 12 VDC ± 10%, PoE (802.3af) |
| Power Consumption | Max. 5 W (IR OFF) Max. 11 W (IR ON) |
| Circuit Protection | TVS 6000V, Lightning/Surge 1000V protection |
| Impact Protection | IP66 |
| IR Range | 30m |
| IR LEDs | 2-pc Array IR LEDs |
| Dimensions | 185mm×92mm×85mm |
| Weight | 1 kg (Camera only); 1.2kg (with Packing Box) |