

2MP Network Vandalproof Varifocal IR Dome Camera



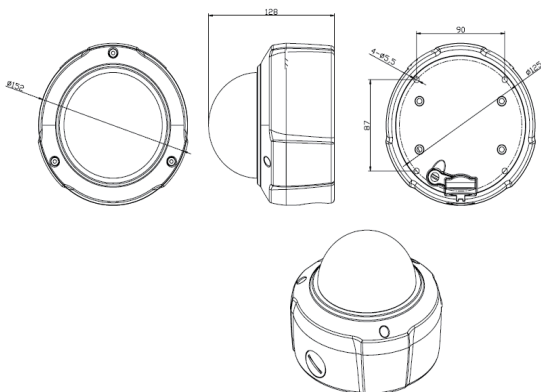
MODEL

TC-NC9200S3E-2MP-IR30(2.8-12mm)

FEATURES

- Up to 1920X1080 High Resolution
- Full HD 1080P Video
- IR Range: 30m
- NIR, WDR, 3D DNR, HLC
- Triple Streams
- Tripwire Detection
- Perimeter Detection
- TVS 6000V, Lightning/Surge 4000V Protection, IP66
- USB Extension

DIMENSIONS



SPECIFICATIONS

Camera	
Image Sensor	1/2.8" Sony Exmor CMOS
Core Processor	ARM9 Architecture
Operating System	Embedded Linux
Signal System	PAL/NTSC
Min. Illumination	Color: 0.05 Lux @(F1.2, AGCON) B/W: 0.01 Lux @(F1.2, AGCON); 0 Lux with IR
Shutter Time	1 s to 1/10,000s
Lens	2.8-12mm ,Angle of View: 94.3° ~ 37.8°
Lens Mount	φ14
Auto Iris	DC Drive
Adjustment Range	Pan:0° - 355°, Tilt: 0° - 75°, Rotation: 0° - 355°
Day&Night	IR Cut Filter with Auto Switch
Wide Dynamic Range	100 dB
Digital Noise Reduction	3D DNR
Focus	Manual
Compression Standard	
Video Compression	H.264/MJPEG
Bit Rate	32Kbps~16Mbps
Audio Compression	G.711/AAC/ADPCM
Bit Rate	8K~48Kbps
Image	
Max. Image Resolution	1920x1080
Frame Rate	50Hz: 25fps (1920 × 1080), 25fps (1280 × 720) 60Hz: 30fps (1920 × 1080), 30fps (1280 × 720)
Triple Stream	Mainstream:1080P(1920*1080) Substream:D1(704*576) 3rd stream:-CIF(352*288)
Image Settings	Brightness, Saturation, Contrast, Flip Mode Adjustable by Client Software or Web Browser
HLC	Y
Smart Defog	Y
Corridor	Y
EIS	Y
ROI	4 Zones
Privacy Mask	4 Zones
Picture Overlay	200 × 200, BMP 24bit, Zone Configurable
Network	
Browser	IE 7+, Chrome 18 +, Firefox 5.0 +
Network Storage	NAS
Video Analytics	Tripwire/Perimeter
Alarm Trigger	Motion Detection/IP Conflict/MAC Conflict/Port Alarm
Protocols	TCP/IP/ICMP/HTTP/HTTPS/FTP/DHCP/DNS/DDNS/RTP/RTSP/RTCP/PPPoE/NTP/UPnP/SNMP/SMTP/SNMP/IGMP/802.1X/QoS/IPv6/Bonjour
User Permission	4 Level/8 Users
System Compatibility	ONVIF (Profile S), SDK
Interface	
Audio Input	1-ch
Audio Output	1-ch
Communication Interface	1-ch RJ45 10M / 100M Ethernet Interface
Alarm Input	1-ch
Alarm Output	N/A
Video Output	N/A
On-board Storage	N/A
Extension	1x USB2.0
General	
Operating Conditions	-30°C ~ 60°C(IRON OFF) /-30°C ~ 40°C(IRON ON), 0 ~ 95% RHG
Power Supply	12 VDC ± 10%, PoE (802.3af)
Power Consumption	Max. 11 W Max. 13 W(IR: 2W)
Circuit Protection	TVS 6000V, Lightning/Surge 4000V Protection
Impact Protection	IP66, IK10
IR Range	30m
IR LEDs	30pcs φ5 IR LEDs
Dimensions	152mm×152mm×128mm
Weight	1.2kg (IP Camera Only); 1.6kg (with Packing Box)