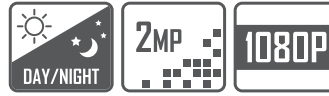


2MP FULL HD NETWORK CAMERA TC-NC9000S3E-2MP-E



MODEL

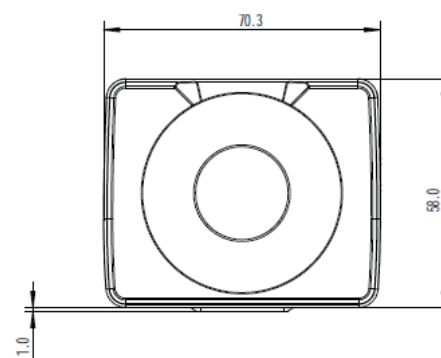
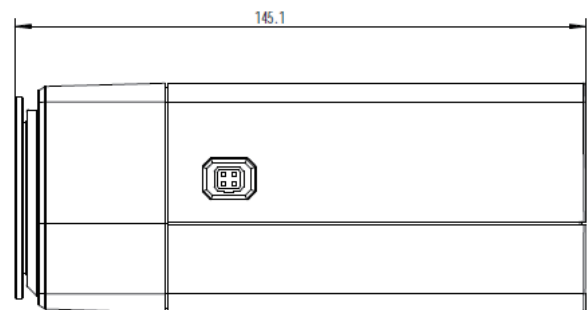
TC-NC9000S3E-2MP-E:
2 Megapixel CMOS, 1080@30FPS; Dual-ICR, WDR,HLC, Audio I/O, Alarm Input; POE, Micro SD Card, TVS 4000V Protection

FEATURES

- 2MP, 1/2.8" Sony ExmorCMOS sensor
- ARM 9 framework, embedded SOC system
- H.264 video compression and JPEG image capture
- Maximum resolution of 1080P @ 30fps
- Dual encoding streams supported
- Support ICR true Day/Night
- Support dual-stream transmission, Vice stream D1@30FPS
- Support C/CS Auto Iris Lens
- Support IOS/Android/WindowsMobile phone browse &control
- Automatically obtain IP (DHCP), automatic dialing (PPPOE), automatic port mapping (UPnP), DNS (DDNS)
- Support DC12V supply
- Built-in Web server, NVR, CMS

DIMENSION

Unit: mm



SPECIFICATIONS

MODEL TC-NC9000S3E-2MP-E	
CAMERA	
Image sensor	2MP, 1/2.8" Sony ExmorCMOS sensor
core processor	ARM9 Architecture processor
operating system	Embedded LINUX
Effective Pixels	2 M
Image resolution	Main stream: 1080P(1920*1080); Second stream:D1(704*576)
Framerate	PAL: 1080P@25 F/S NTSC: 1080P@30 F/S
WDR	100db
Electronic Shutter	1/25S~1/10000S
Mini. Illumination	Color0.05 Lux @(F1.2, AGC ON) B/W0.01Lux @(F1.2, AGC ON); 0 Lux with IR
Day/Night	ICR
Videoparameters	Contrast, brightness, saturation can be adjusted independently
Image processing	Support 3D noise reduction, de-interlace, image enhancement, edge enhancement, backlight compensation, gamma adjustment
LENS	
Lens interface type	C/CS
INTERFACE	
Video interface	1Vp-p Composite Output(75Ω/BNC)
Audio interface	1 channel input; 1 channel output
Alarm interface	1 channel input
Network Port	10/100MEthernet interface RJ45
Protocol	Onvif
ENCODE MODE	
Video Compression	H.264/MJPEG
Audio Compression	G.711/G.726/ADPCM
Encode type	BaseLine Profile/ Main Profile
Video Compression code reate	32K~8Mbps
Audio Compression code reate	8K~48Kbps
OTHERS	
IE browser	Web server
Mobile	Support IOS/Android/WindowsMobile
Client	≤8
Local storage	Support MicroSD card, max 32G
Network protocol	TCP/UDP/HTTP/MULTICAST/UPnP/DHCP/PPPoE/DDNS/NFS/FTP/NTP/RTP/RTSP
IP address	Support static state IP address/DDNS
OSD charactor	Support character, time, support max 128 charactors
OSD charactor	Support character, time, support max 128 charactors
Authority	4 level/128 users
System clock	Build-in clock, support external synchronization
Remote management	Remote network upgrade
Intelligent alarm	Motion detection, Port alarm
GENERAL	
Ingress Protection	IP66
Operating Environment	-30°C~60°C, 0~95% RHG
Power Supply	DC 12V±10%
Power Consumption	5 W
Dimension	145mm×71mm×58mm
Weight	0.6 Kg